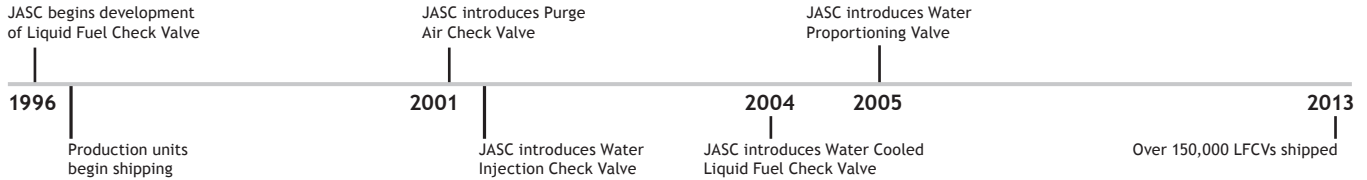


JASC LIQUID FUEL CHECK VALVE AT A GLANCE



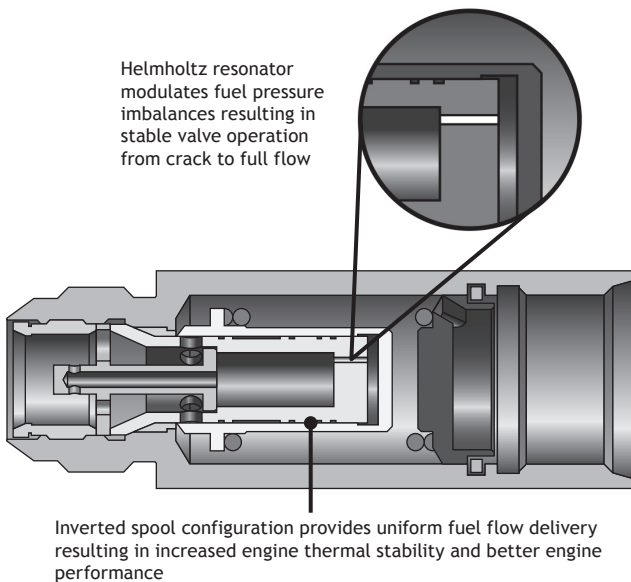
HISTORY & BACKGROUND

The JASC Liquid Fuel Check Valve was originally designed for a large industrial gas turbine manufacturer.



JASC CHECK VALVE INNOVATION

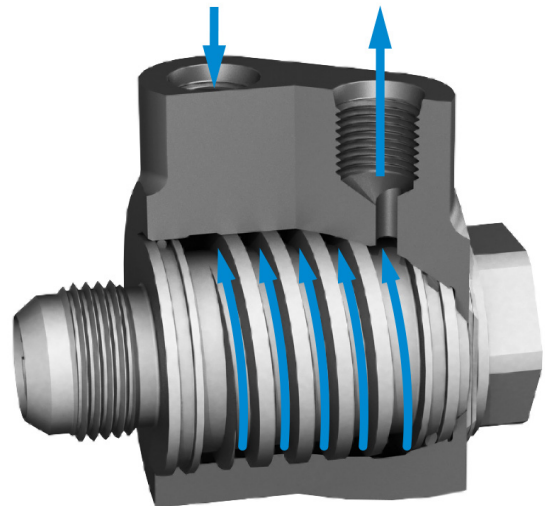
JASC's Liquid Fuel Check Valve is revolutionary in industrial check valve design because it uses a Helmholtz resonator and an inverted spool.



JASC Liquid Fuel Check Valves are contamination tolerant, chatter resistant and provide an ANSI Class 6 zero-leak seal in the checked direction.

JASC WCLFCV

JASC's Water Cooled Liquid Fuel Check Valve incorporates an outer water jacket that keeps the valve cool enough to eliminate coking.



Internally the JASC Water Cooled Liquid Fuel Check Valve is identical to the standard JASC Liquid Fuel Check Valve

All JASC check valves are designed to have a long operating life and can be refurbished resulting in a lower total cost of ownership compared to ball check valves.

JASC CHECK VALVE DERIVATIVES



Purge Air Check Valve



Water Proportioning Valve



Water Injection Check Valve