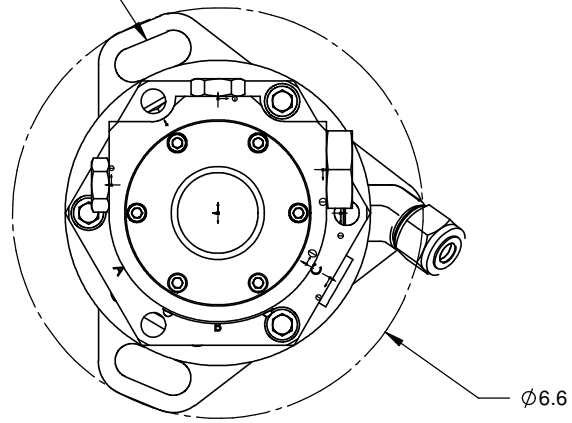
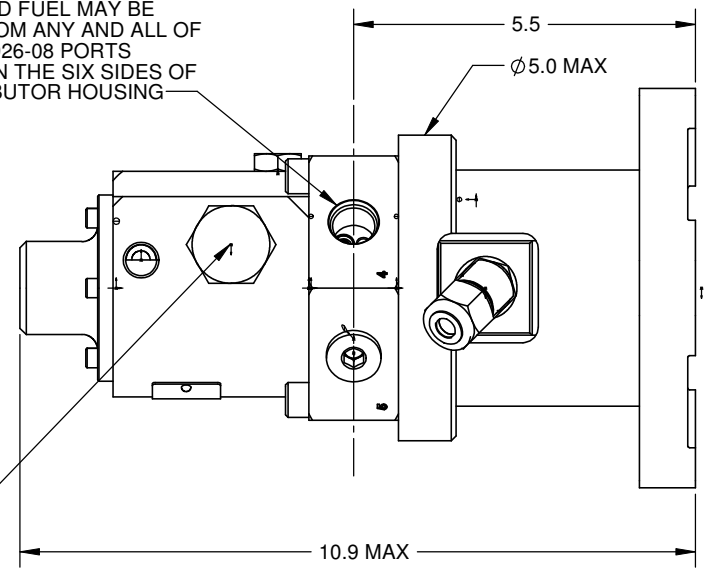


| REVISIONS |           |                 |     |
|-----------|-----------|-----------------|-----|
| REV.      | DATE      | DESCRIPTION     | BY  |
| NC        | 2/25/2009 | Initial Release | RPW |

MOUNTING PER EXISTING FUEL DISTRIBUTOR VALVE



DISTRIBUTED FUEL MAY BE PORTED FROM ANY AND ALL OF THE SAE J1926-08 PORTS LOCATED ON THE SIX SIDES OF THE DISTRIBUTOR HOUSING



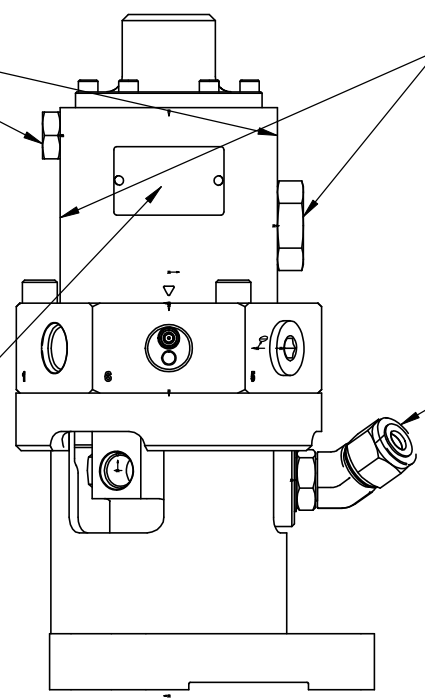
SERVICABLE PARTICULATE SCREEN

COOLING FLUID TO BE PORTED INTO OR OUT OF EITHER SIDE OF THE FUEL HOUSING THROUGH SAE J1926-06 PORTS.

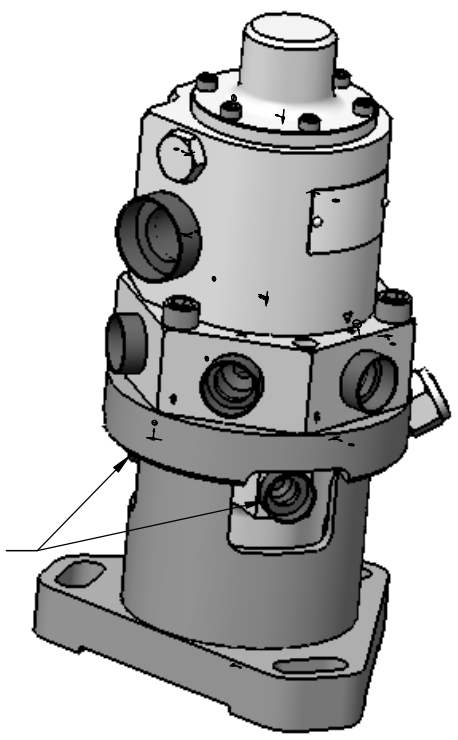
FUEL IS PORTED INTO EITHER SIDE OF THE FUEL HOUSING THROUGH SAE J1926-12 PORTS.

PURGE AIR IS PORTED INTO THE PURGE AIR HOUSING THROUGH AN SAE J1926-08 PORT OR THROUGH A SWAGELOK-08 COMPRESSION FITTING PROVIDED.

IDENTIFICATION PLATE



COOLING FLUID TO BE PORTED INTO OR OUT OF EITHER SIDE OF THE PURGE AIR HOUSING THROUGH SAE J1926-06 PORTS.



THE WCCV CAN BE CUSTOM CONFIGURED FOR EACH CAN AND ANY FRAME SIZE TO EASE INSTALLATION AND OPTIMIZE PERFORMANCE.

THIS PRINT IS THE PROPERTY OF JASC AND REPRESENTS A PROPRIETARY ARTICLE TO WHICH JASC RETAINS THE EXCLUSIVE RIGHT OF USE AND/OR SALE. THIS PRINT IS DISCLOSED IN CONFIDENCE AND POSSESSION OF IT DOES NOT CONVEY PERMISSION TO MANUFACTURE THE ARTICLE OR ARTICLES SHOWN HEREIN. SUCH PERMISSION BEING GRANTED ONLY BY SPECIFIC AUTHORIZATION IN WRITING SIGNED BY AN OFFICER OF JASC.



Tempe, Arizona

|  |   |  |  |
|--|---|--|--|
| DIMS. APPLY AFTER PLATING<br>BREAK SHARP EDGES .005 .015<br>MACHINED SURFACES<br>.005-.020R MACHINED FILLETS | UNLESS OTHERWISE SPECIFIED<br>DIMENSIONS ARE IN INCHES<br>SYMBOLS PER ANSI Y14.5<br>TOLERANCES ARE:<br>FRACTIONS DECIMALS ANGLES<br>± 1/64 .X ± .1 ± 1°<br>.XX ± .010<br>.XXX ± .005<br>.XXXX ± .0010 | CONTRACT NO.<br>APPROVALS DATE<br>DRAWN RAF 01/18/05<br>CHECKED HBJ 02/25/09 | TITLE:<br>ASSY, COMBINING VALVE<br>SIZE C CAGE ØR293 DWG. NO. 101348-OUTLINE<br>SCALE: 1:1 WEIGHT: 25.333 lbs SHT 1 OF 1 |
| FINAL  |   |  |  |
| NEXT ASSY  | USED ON   |  |  |
| APPLICATION  |   |  |  |

101348-OUTLINE NC