

REVISIONS			
REV.	DATE	DESCRIPTION	BY
NC	4/5/06	Initial Release	NVD

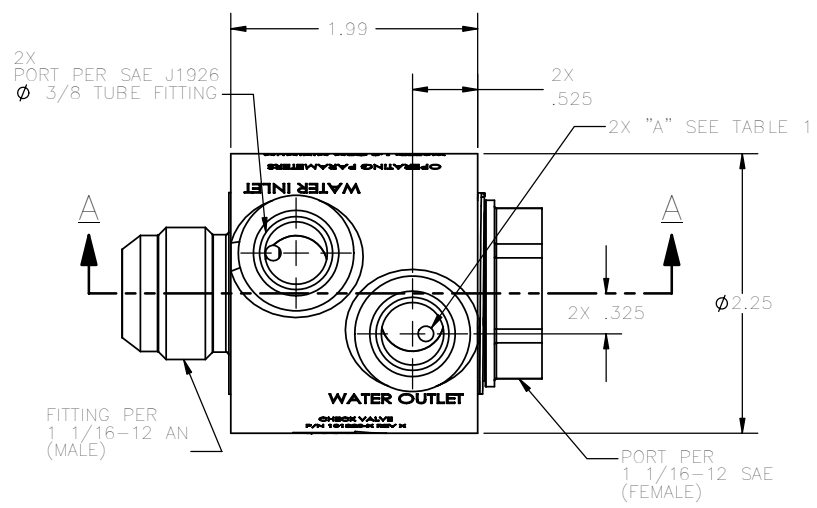
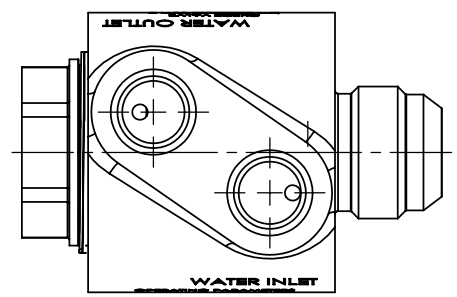
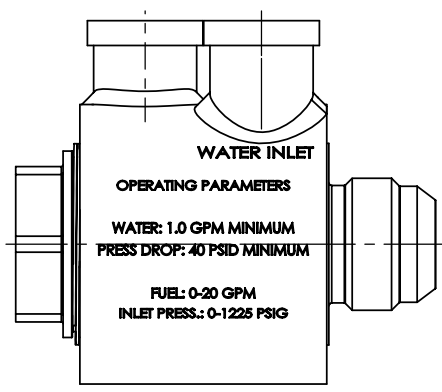
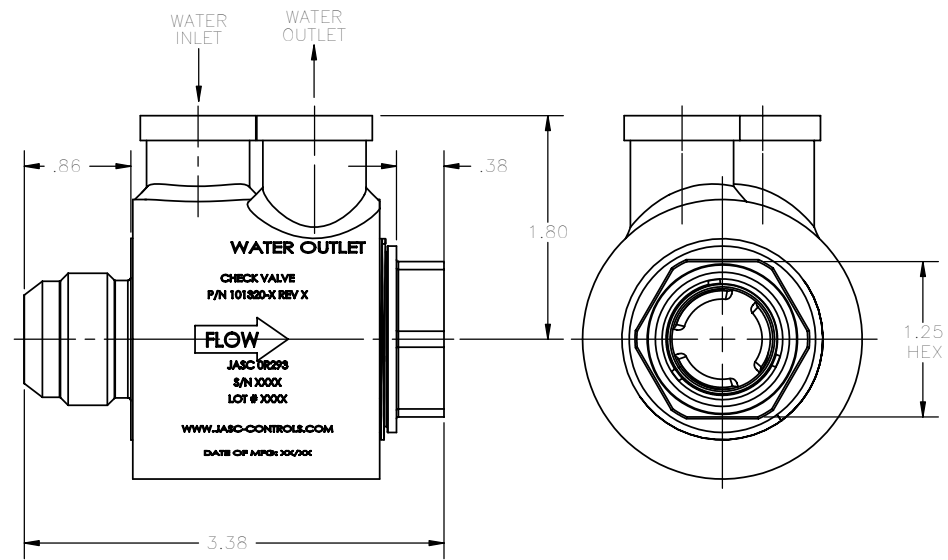


TABLE 1

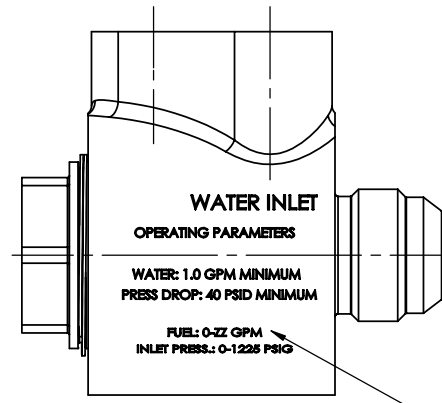
PART NUMBER	A
101320-1	$\phi$ .125
101320-2	$\phi$ .125
101320-3	$\phi$ .177



101320-2

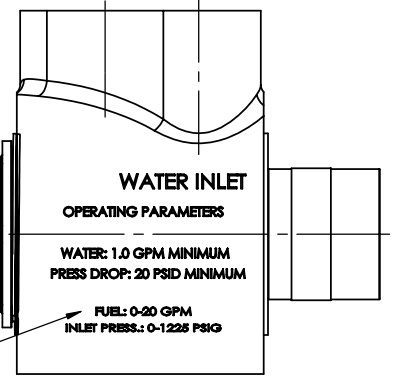


101320-1



101320-2

SEE TABLE 2



101320-3

TABLE 2

PART NUMBER	ZZ
101320-2	20
101320-3	20

- 14. CONTAMINATION LEVEL: 75 MICRONS ABSOLUTE  
98.6% 39 MICRONS OR LESS  
4 mg/100ml
- 13. LEAKAGE IN THE FLOW DIRECTION: ANSI CLASS 6 OR BETTER
- 12. LEAKAGE IN THE CHECK DIRECTION: ANSI CLASS 6 OR BETTER
- 11. COOLING FLOW: 1.0 GPM MINIMUM @ 40 PSID MINIMUM FOR 101320-1 & 101320-2  
1.0 GPM MINIMUM @ 20 PSID MINIMUM FOR 101320-3
- 10. CRACK PRESSURE: 100 $\pm$ 5 PSID
- 9. OPERATING FLOW: 20.0 GPM
- 8. PRESSURE DROP TOLERANCE: 175-190 PSID
- 7. MAXIMUM PRESSURE DROP: 190 PSID
- 6. SOAKBACK TEMP: 700°F
- 5. MAXIMUM AMBIENT TEMP: 400°F
- 4. CHECK PRESSURE: 300 PSIG
- 3. FLOW RANGE: 0-20 GPM
- 2. INLET TEMP: -60°F TO 250°F
- 1. INLET PRESSURE: 0 - 1225 PSIG (800 PSIG TYPICAL)

NOTES: UNLESS OTHERWISE SPECIFIED

THIS PRINT IS THE PROPERTY OF JASC AND REPRESENTS A PROPRIETARY ARTICLE TO WHICH JASC RETAINS THE EXCLUSIVE RIGHT OF USE AND/OR SALE. THIS PRINT IS DISCLOSED IN CONFIDENCE AND POSSESSION OF IT DOES NOT CONVEY PERMISSION TO MANUFACTURE THE ARTICLE OR ARTICLES SHOWN HEREIN. SUCH PERMISSION BEING GRANTED ONLY BY SPECIFIC AUTHORIZATION IN WRITING SIGNED BY AN OFFICER OF JASC.		<b>JASC</b> Tempe, Arizona	
DIMS. APPLY AFTER PLATING BREAK SHARP EDGES .005 .015 ✓ MACHINED SURFACES .005-.020R MACHINED FILLETS	UNLESS OTHERWISE SPECIFIED DIMENSIONS ARE IN INCHES SYMBOLS PER ANSI Y14.5 TOLERANCES ARE: FRACTIONS DECIMALS ANGLES $\pm$ 1/64 .XX $\pm$ .1 $\pm$ 1° .XXX $\pm$ .005 .XXX $\pm$ .010	CONTRACT NO. APPROVALS DATE DRAWN DKS 3/19/04 CHECKED HBJ 3/22/04	TITLE: ASS'Y, WATER COOLED LIQUID FUEL CHECK VALVE
FINAL -	NEXT ASSY USED ON	SIZE C	CAGE $\phi$ R293
APPLICATION		SCALE: 1:1	DWG. NO. 101320-OUTLINE
		WEIGHT: 2.2 lbs	SHT 1 OF 1

101320-OUTLINE NC