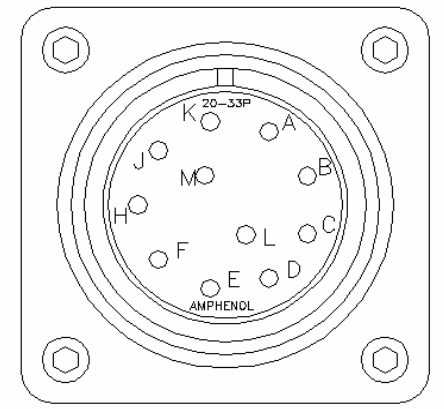
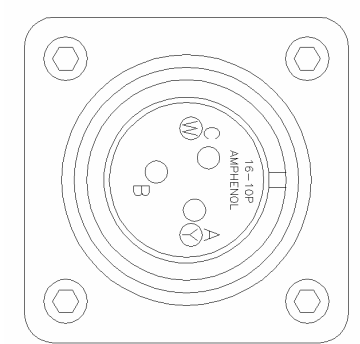
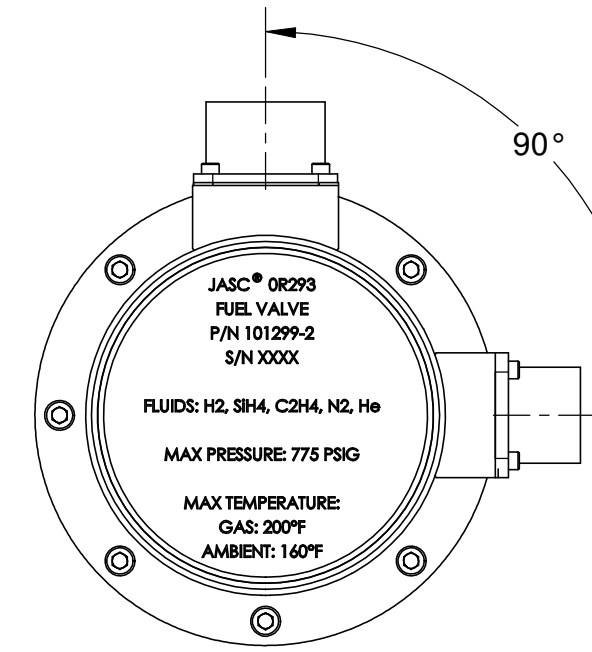


REVISIONS			
REV.	DATE	DESCRIPTION	BY
NC	9/12/2008	Initial Release	NVD
A	9/17/2008	See ECN 3211	NVD



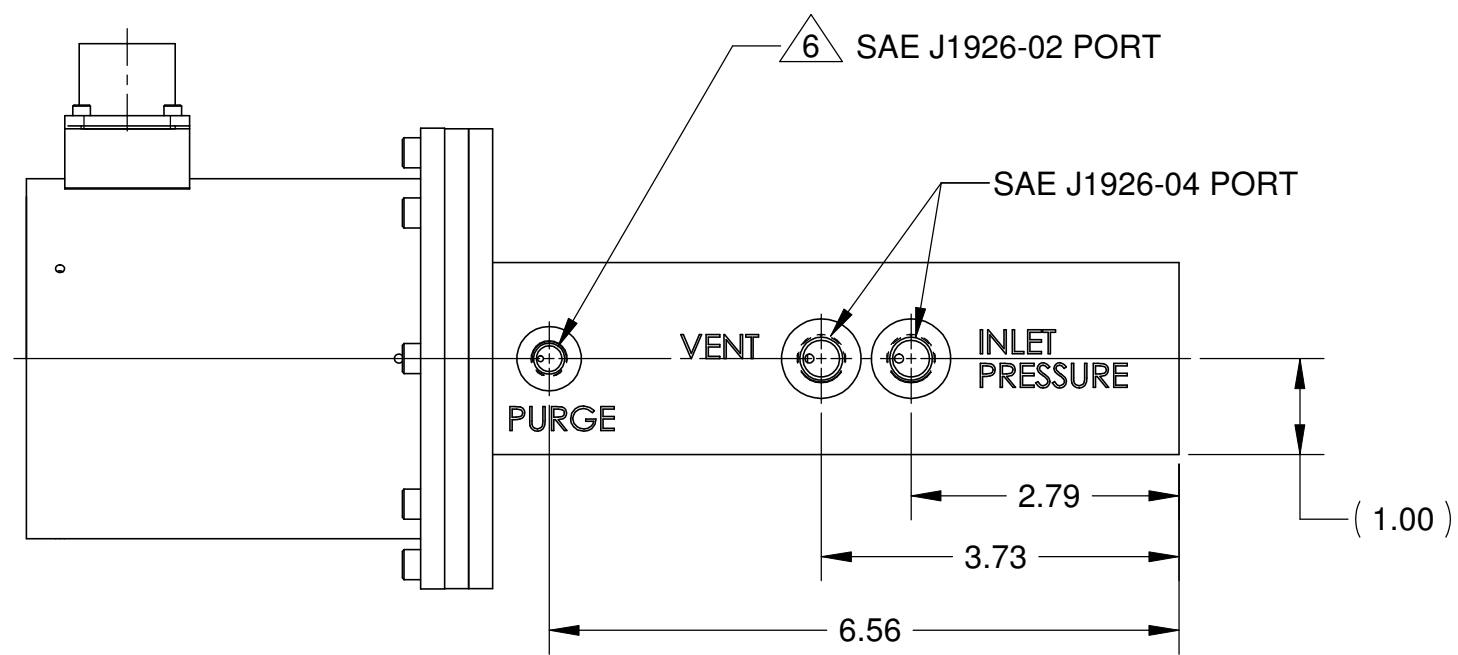
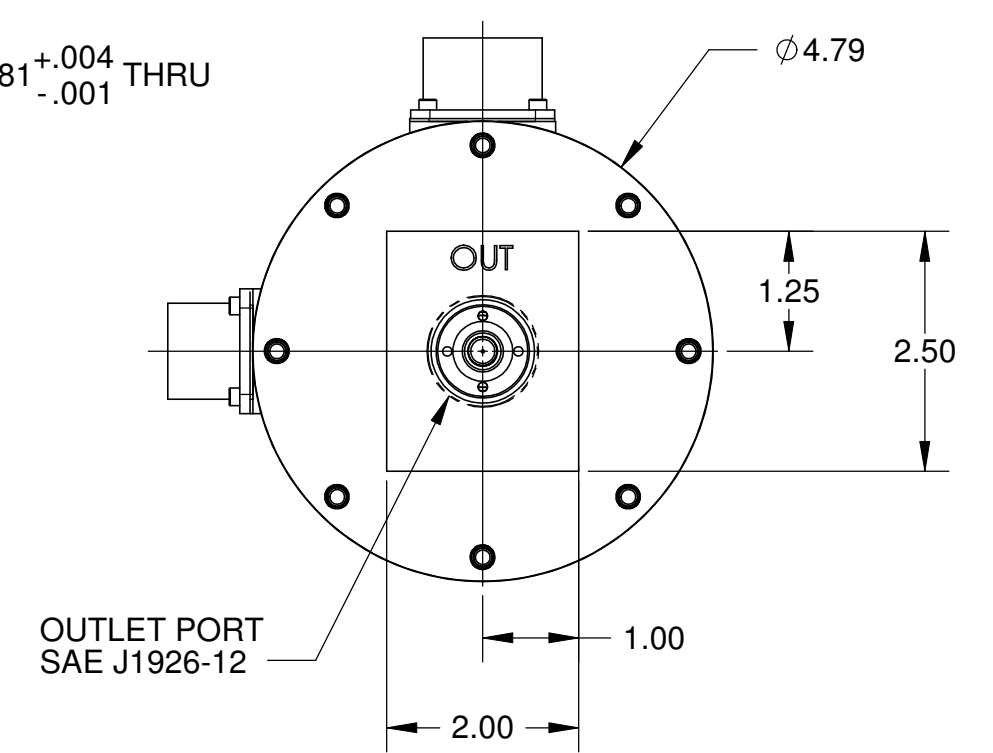
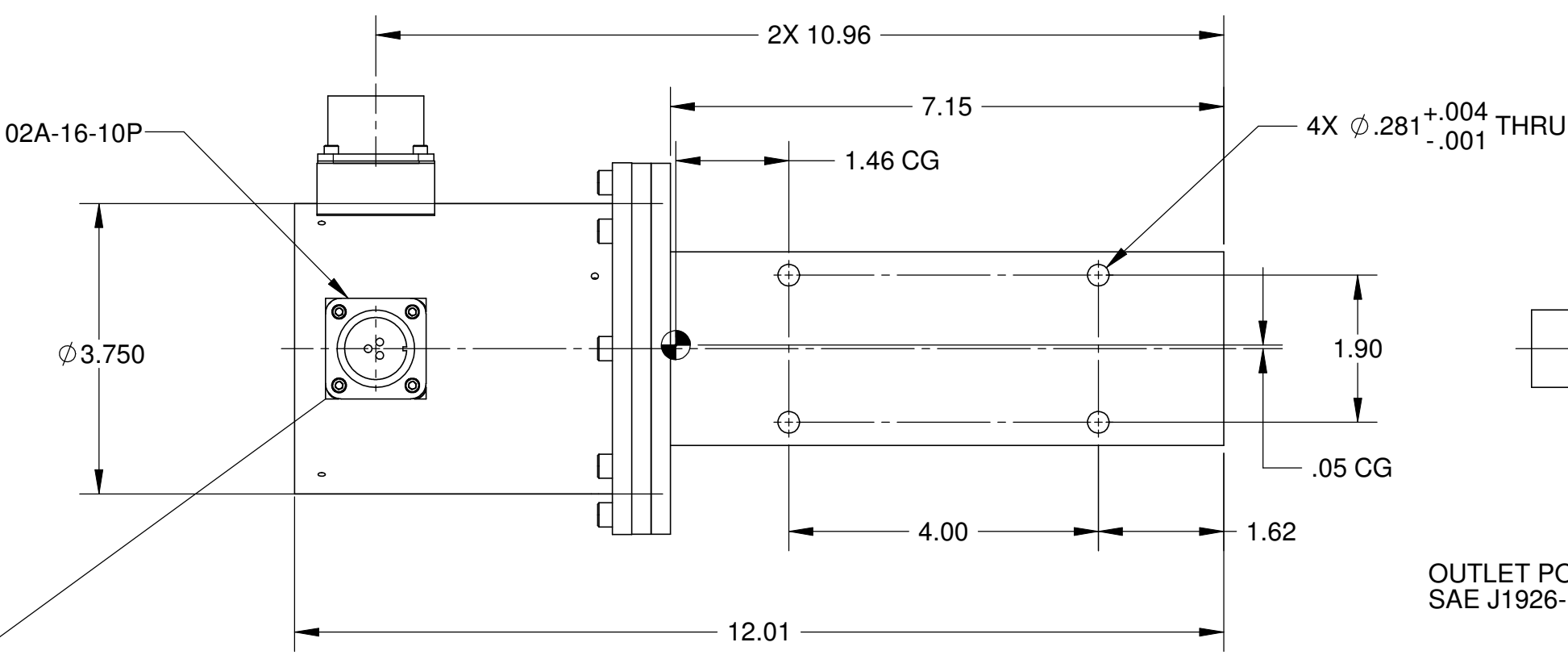
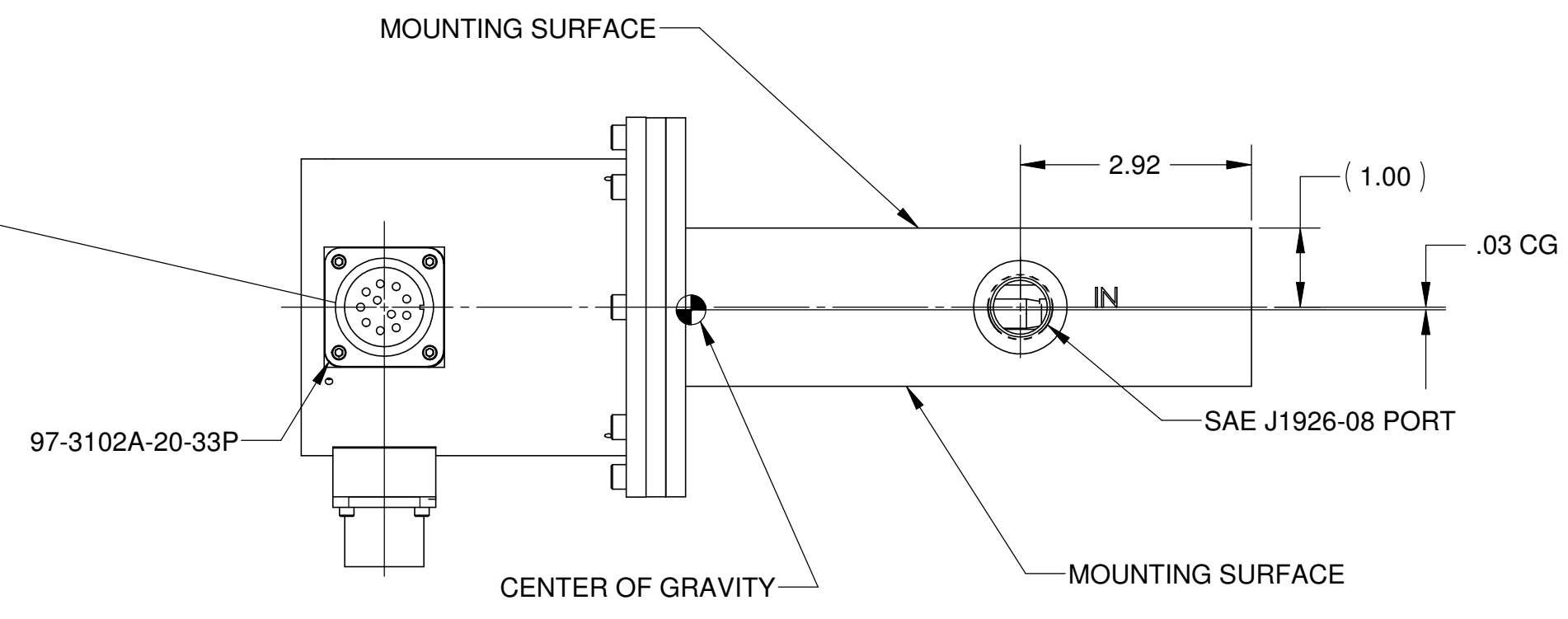
ELECTRICAL PINOUTS FOR I/O (LARGE) CONNECTOR ITEM

- A - YEL (HAL VCC), RED (ECR VCC)
- B - GRY (HAL GND), BLK (ECR GND)
- C - ORG (HAL S1)
- D - BRN (HAL S2)
- E - BLU (HAL S3)
- F - GRN (ECR A)
- H - RED/BLK (ECR A')
- J - ORG (ECR B)
- K - WHT/BLK (ECR B')
- L - WHT (ECR Z)
- M - BLU (ECR Z')



ELECTRICAL PINOUTS FOR POWER (SMALL) CONNECTOR ITEM

- A - RED (MTR PHASE A)
- B - BLK (MTR PHASE B)
- C - GRN (MTR PHASE C)



8. USE WITH MODIFIED GALIL CONTROLLER MODEL DMC-1416 (REFERENCE JASC DOCUMENT UM-101299-1)

7. GEOMETRIC FLOW AREA

PINTLE P/N	MAX FLOW AREA (IN ²)	TDR
101299-03-01	.0252	25:1
101299-03-02	.0505	25:1
101299-03-03	.0757	25:1

6. PURGE WITH INERT GAS (N2, HE, AR)

5. ELECTRICAL:
 INPUT SIGNAL COMMAND: 0 VDC TO +10 VDC
 OUTPUT POSITION REPORT: -10 VDC TO +10 VDC
 POWER: 24 VDC, 7.5 A NOM., 15.0 A MAX.

- 4. AMBIENT TEMPERATURE: -20 °F TO +160 °F
 FLUID TEMPERATURE: 0 °F TO +200 °F
- 3. WEIGHT: 8.0 LB MAX.
- 2. FLUID MEDIA: HYDROGEN, SILANE, ETHYLENE
- 1. PRESSURES (MAIN HOUSING ONLY)
 MEOP: 775 PSIG
 PROOF: 1165 PSIG
 BURST: 3100 PSIG

NOTES: UNLESS OTHERWISE SPECIFIED

THIS PRINT IS THE PROPERTY OF JASC AND REPRESENTS A PROPRIETARY ARTICLE TO WHICH JASC RETAINS THE EXCLUSIVE RIGHT OF USE AND/OR SALE. THIS PRINT IS DISCLOSED IN CONFIDENCE AND POSSESSION OF IT DOES NOT CONVEY PERMISSION TO MANUFACTURE THE ARTICLE OR ARTICLES SHOWN HEREIN. SUCH PERMISSION BEING GRANTED ONLY BY SPECIFIC AUTHORIZATION IN WRITING SIGNED BY AN OFFICER OF JASC.

DIMS. APPLY AFTER PLATING BREAK SHARP EDGES .005-.015 MACHINED SURFACES .005-.020R MACHINED FILLETS		UNLESS OTHERWISE SPECIFIED DIMENSIONS ARE IN INCHES SYMBOLS PER ANSI Y14.5		CONTRACT NO.		TITLE: MFPD FUEL CONTROL VALVE, PURGED	
TOLERANCES ARE: FRACTIONS DECIMALS ANGLES		APPROVALS DATE		DRAWN RPW 09/11/08		SIZE CAGE DWG. NO.	
± 1/64 .X ± .1 ± 1° .XX ± .010 .XXX ± .005 .XXXX ± .0010		CHECKED JFC 09/11/08		C		ØR293 101299-2 OUTLINE	
APPLICATION		SCALE: 1:2		WEIGHT: 7.505 lbs		SHT 1 OF 1	

101299-2 OUTLINE