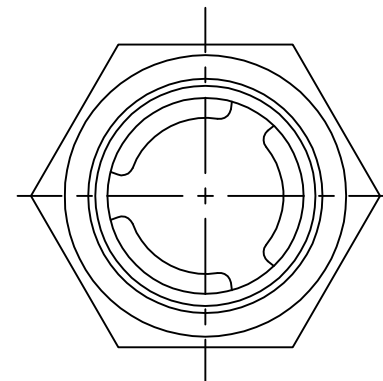
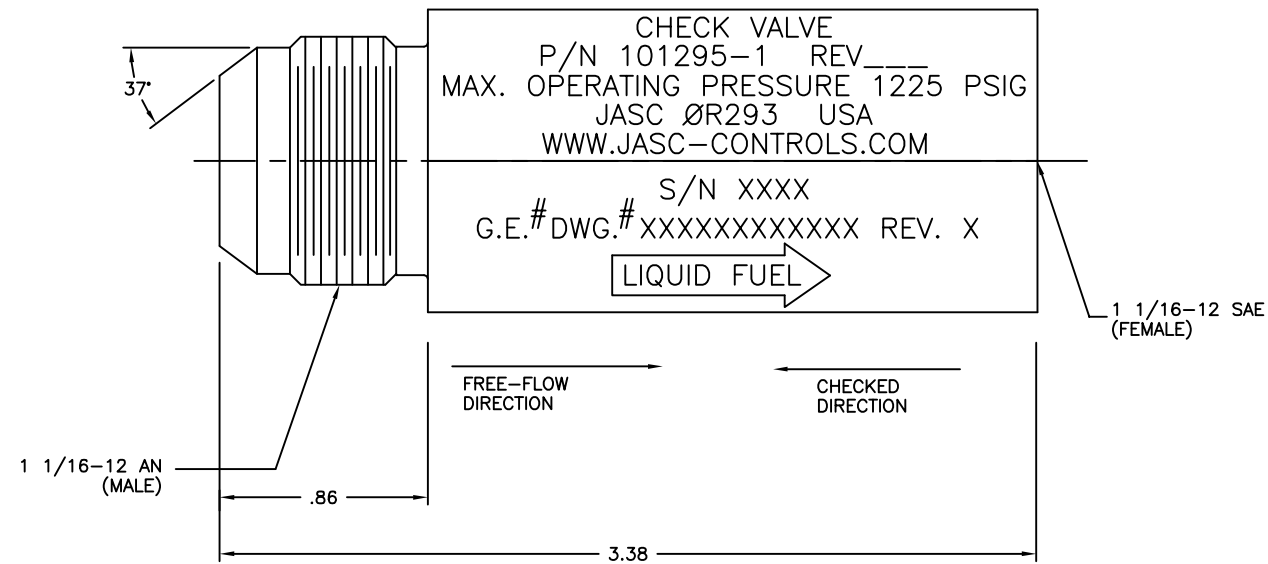
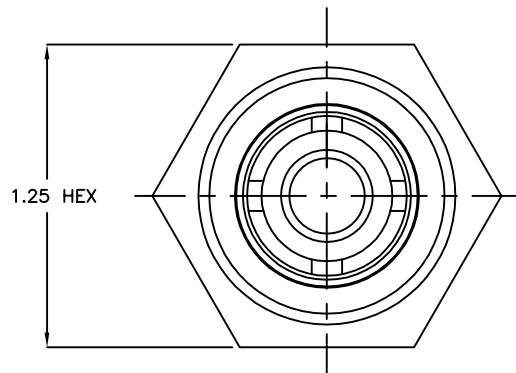


REVISIONS			
REV	DATE	DESCRIPTION	BY
NC	5/26/05	INITIAL RELEASE	NVD



- 15. FLUID MEDIA: HEAVY DISTILLATE
- 14. CONTAMINATION LEVEL: 75 MICRONS ABSOLUTE
98.67% 39 MICRON OR LESS
4 MG/100 ML
- 13. LEAKAGE IN FLOW DIRECTION: ANSI CLASS 6
- 12. LEAKAGE IN CHECK DIRECTION: ANSI CLASS 6
- 11. CRACK PRESSURE: 114-126 PSID
- 10. OPERATING FLOW: 15.00 GPM
- 9. PRESSURE DROP TOLERANCE: 155-170 PSID
- 8. MAXIMUM PRESSURE DROP: 170 PSID
- 7. SOAKBACK TEMP: 700°F
- 6. MAXIMUM AMBIENT TEMP: 400°F
- 5. CHECK PRESSURE: 300 PSIG
- 4. FLOW RANGE: 0.5-15.0 GPM
- 3. INLET TEMP: 60°F - 250°F
- 2. INLET PRESSURE: 0-1225 PSIG (800 TYPICAL)
- 1. UNIT DESIGNED IN ACCORDANCE WITH G.E. DWG. NO. 361A2943P007

NOTES: UNLESS OTHERWISE SPECIFIED

QTY REQD	ITEM NO.	PART NUMBER	DESCRIPTION	MATERIAL AND SPECIFICATION	HEAT TREAT	FINISH & SPEC.
1	1	101295-1	VALVE, LIQUID FUEL CHECK	-	-	-

← ASS'Y NO. PARTS LIST

THIS PRINT IS THE PROPERTY OF JASC AND REPRESENTS A PROPRIETARY ARTICLE TO WHICH JASC RETAINS THE EXCLUSIVE RIGHT OF USE AND/OR SALE. THIS PRINT IS DISCLOSED IN CONFIDENCE AND POSSESSION OF IT DOES NOT CONVEY PERMISSION TO MANUFACTURE THE ARTICLE OR ARTICLES SHOWN HEREIN. SUCH PERMISSION BEING GRANTED ONLY BY SPECIFIC AUTHORIZATION IN WRITING SIGNED BY AN OFFICER OF JASC.

DIMS. APPLY AFTER PLATING BREAK SHARP EDGES .005-.015 MACHINED SURFACES .005-.020R MACHINED FILLETS		UNLESS OTHERWISE SPECIFIED DIMENSIONS ARE IN INCHES SYMBOLS PER ANSI Y14.5 TOLERANCES ARE: FRACTIONS DECIMALS ANGLES $\pm 1/64$.X $\pm .1$ $\pm 1'$.XX $\pm .010$.XXX $\pm .005$.XXXX $\pm .0010$		CONTRACT NO. APPROVALS DATE DRAWN NVD 5/26/05 CHECKED HBJ 5/26/05		TITLE: VALVE, LIQUID FUEL CHECK	
NEXT ASSY USED ON APPLICATION		SCALE: 2X		SIZE CAGE DWG. NO. C ØR293 101295-OUTLINE		SHT 1 OF 1	

101295-OUTLINE NC