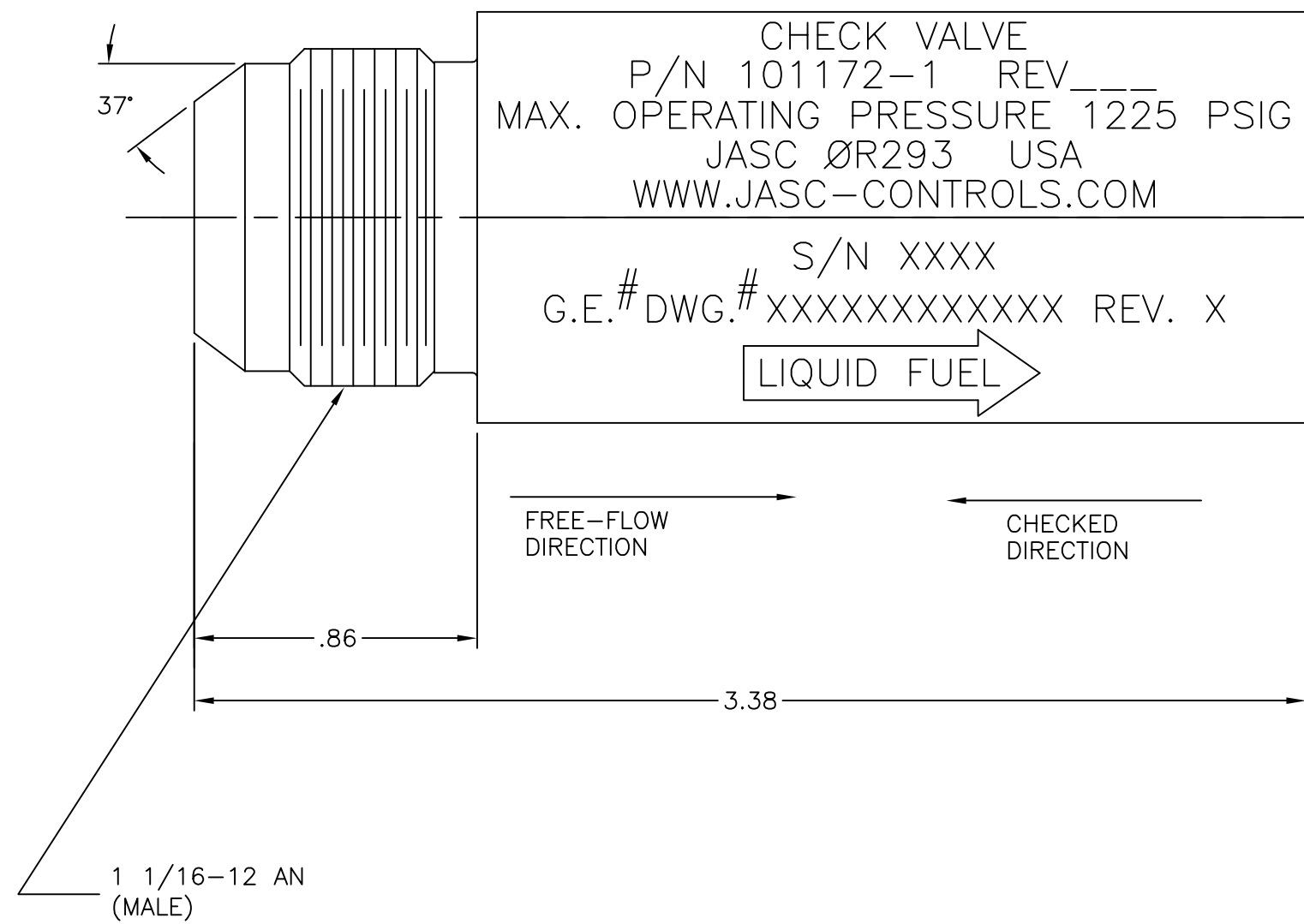
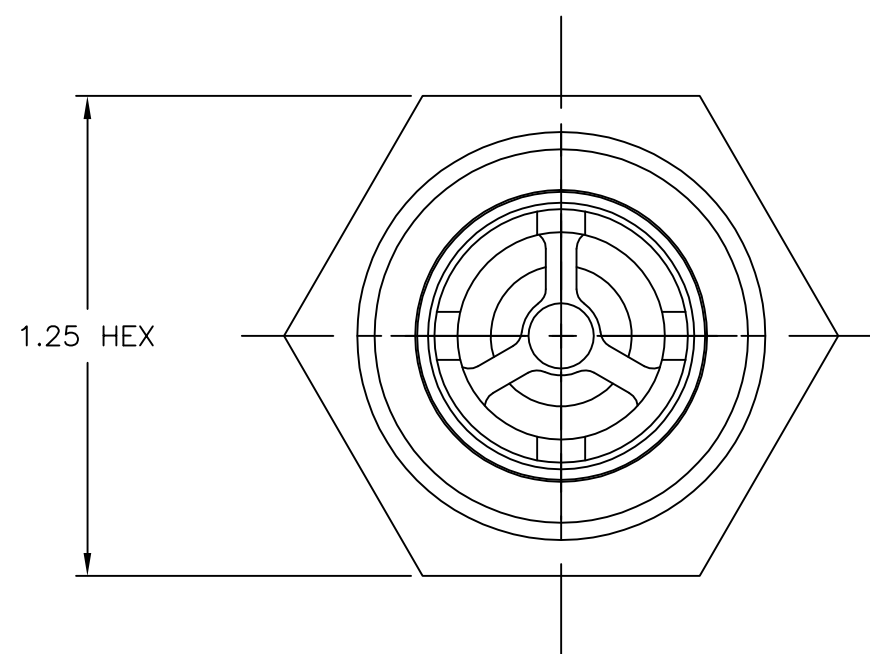


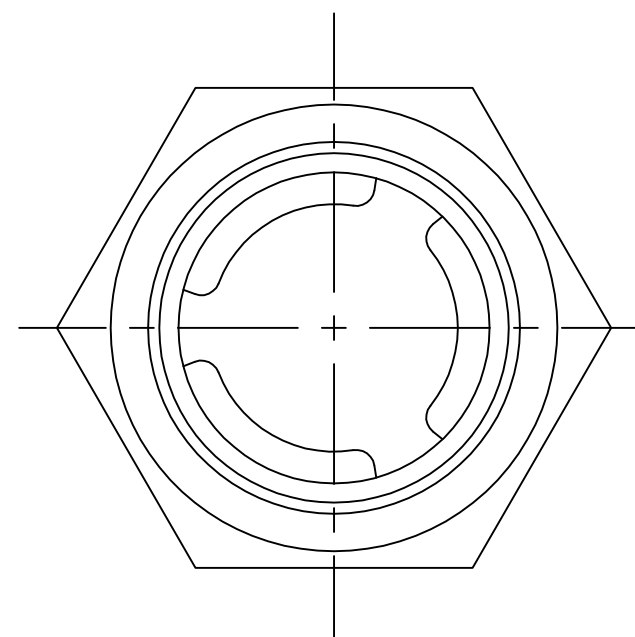
REVISIONS			
REV	DATE	DESCRIPTION	BY
A	2/7/97	PRODUCTION RELEASE	KWD
B	12/17/98	SEE DCN 1250	V.B.
C	9/16/03	SEE ECN 2194	NVD
D	5/26/05	SEE ECN 2507	NVD



CHECK VALVE
P/N 101172-1 REV ____
MAX. OPERATING PRESSURE 1225 PSIG
JASC ØR293 USA
WWW.JASC-CONTROLS.COM

S/N XXXX
G.E.# DWG.#XXXXXXXXXXXXX REV. X

LIQUID FUEL



1 1/16-12 SAE (FEMALE)

14. CONTAMINATION LEVEL: 75 MICRONS ABSOLUTE
98.67% 39 MICRON OR LESS
4 MG/100 ML
13. LEAKAGE IN FLOW DIRECTION: ANSI CLASS 6
12. LEAKAGE IN CHECK DIRECTION: ANSI CLASS 6
11. CRACK PRESSURE: 45±3 PSID
10. OPERATING FLOW: 20±0.5 GPM
9. PRESSURE DROP TOLERANCE: 105-120 PSID
8. MAXIMUM PRESSURE DROP: 120 PSID
7. SOAKBACK TEMP: 700°F
6. MAXIMUM AMBIENT TEMP: 400°F
5. CHECK PRESSURE: 300 PSIG
4. FLOW RANGE: 0.5-20.5 GPM
3. INLET TEMP: 60° F-250° F
2. INLET PRESSURE: 0-1225 PSIG (800 TYPICAL)
1. UNIT DESIGNED IN ACCORDANCE WITH G.E. DWG. NO. 361A2943P003

NOTES: UNLESS OTHERWISE SPECIFIED

QTY REQD	ITEM NO.	PART NUMBER	DESCRIPTION	MATERIAL AND SPECIFICATION	HEAT TREAT	FINISH & SPEC.
1	1	101172-1	VALVE, LIQUID FUEL CHECK	-	-	-

← ASS'Y NO. PARTS LIST

THIS PRINT IS THE PROPERTY OF JASC AND REPRESENTS A PROPRIETARY ARTICLE TO WHICH JASC RETAINS THE EXCLUSIVE RIGHT OF USE AND/OR SALE. THIS PRINT IS DISCLOSED IN CONFIDENCE AND POSSESSION OF IT DOES NOT CONVEY PERMISSION TO MANUFACTURE THE ARTICLE OR ARTICLES SHOWN HEREIN: SUCH PERMISSION BEING GRANTED ONLY BY SPECIFIC AUTHORIZATION IN WRITING SIGNED BY AN OFFICER OF JASC.

DIMS. APPLY AFTER PLATING BREAK SHARP EDGES .005 .015 MACHINED SURFACES .005-.020R MACHINED FILLETS	UNLESS OTHERWISE SPECIFIED DIMENSIONS ARE IN INCHES SYMBOLS PER ANSI Y14.5 TOLERANCES ARE: FRACTIONS DECIMALS ANGLES ± 1/64 .X ±.1 ±1' .XX ±.010 .XXX ±.005	CONTRACT NO.	TITLE:
		APPROVALS DRAWN P HURST CHECKED	DATE 8/5/97
NEXT ASSY	USED ON	SIZE C	CAGE ØR293
APPLICATION		SCALE: 2X	DWG. NO. 101172-OUTLINE

JASC
Tempe, Arizona

SHT 1 OF 1

101172-OUTLINE