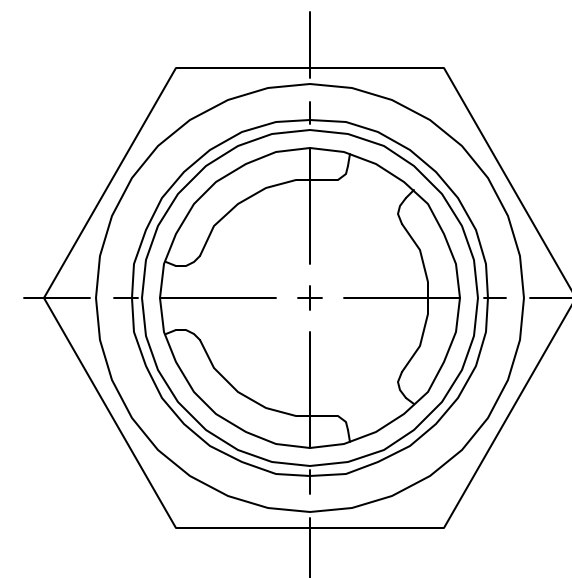
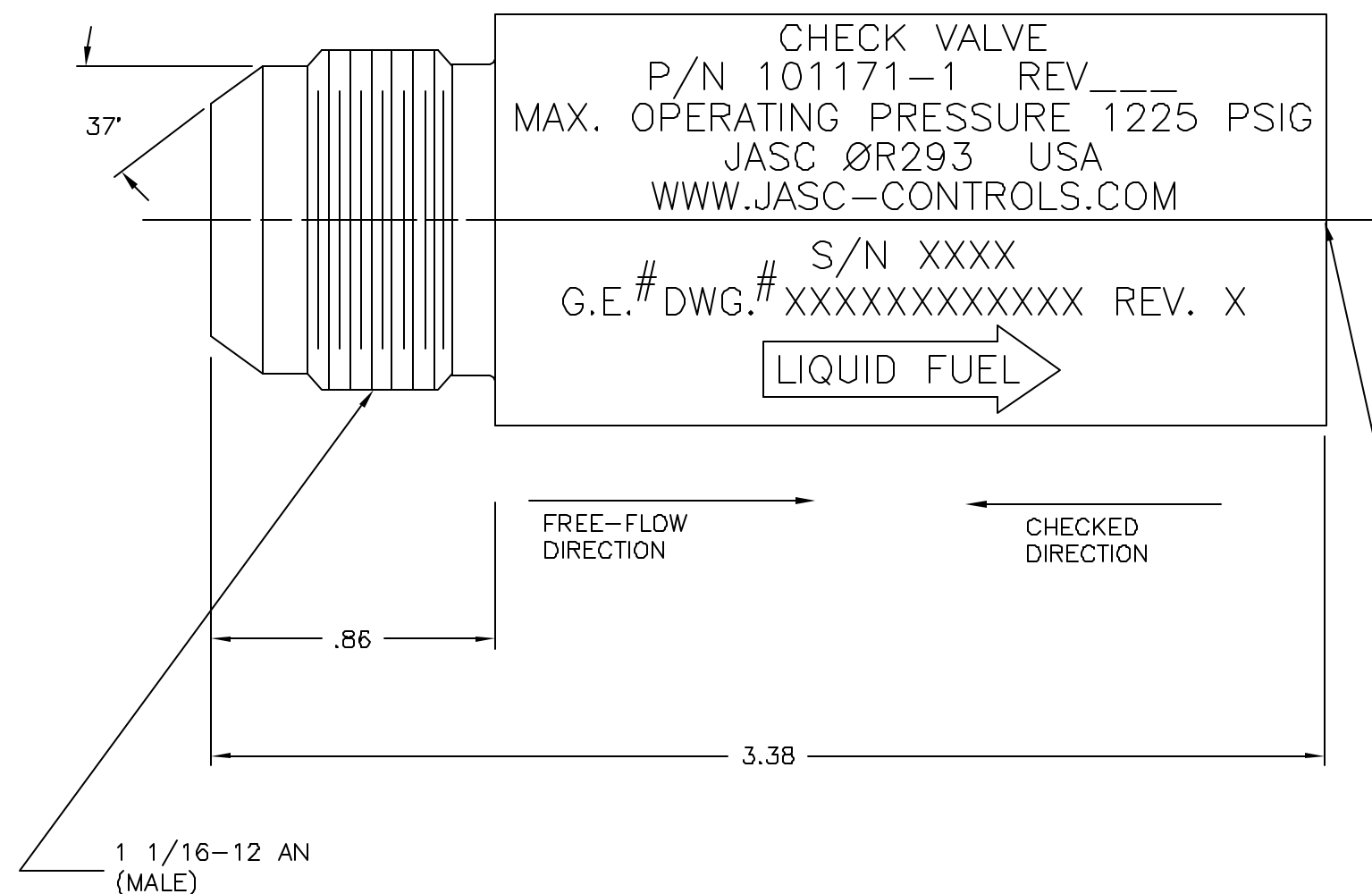
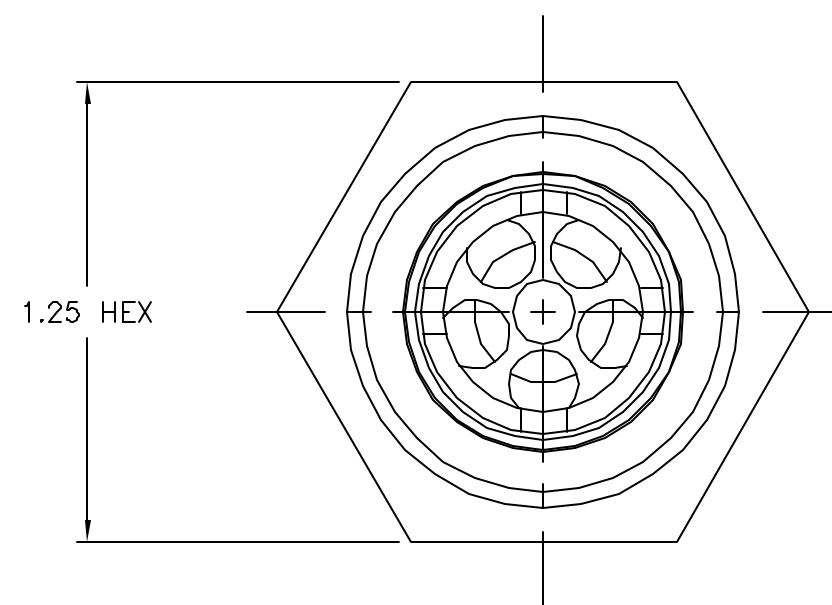


REVISIONS			
REV	DATE	DESCRIPTION	BY
A	12/17/98	SEE DCN 1249	V.B.
B	5/26/05	SEE ECN 2506	NVD



- 14. CONTAMINATION LEVEL: 75 MICRONS ABSOLUTE
98.67% 39 MICRON OR LESS
4 MG/100 ML
- 13. LEAKAGE IN FLOW DIRECTION: ANSI CLASS 6
- 12. LEAKAGE IN CHECK DIRECTION: ANSI CLASS 6
- 11. CRACK PRESSURE: 95-105 PSID
- 10. OPERATING FLOW: 7.00 GPM
- 9. PRESSURE DROP TOLERANCE: 125-140 PSID
- 8. MAXIMUM PRESSURE DROP: 140 PSID
- 7. SOAKBACK TEMP: 700°F
- 6. MAXIMUM AMBIENT TEMP: 400°F
- 5. CHECK PRESSURE: 225 PSIG
- 4. FLOW RANGE: 0.5-7.0 GPM
- 3. INLET TEMP: 60° F-250° F
- 2. INLET PRESSURE: 0-1225 PSIG (800 TYPICAL)
- 1. UNIT DESIGNED IN ACCORDANCE WITH G.E. DWG. NO. 361A2943P002

NOTES: UNLESS OTHERWISE SPECIFIED

QTY REQD	ITEM NO.	PART NUMBER	DESCRIPTION	MATERIAL AND SPECIFICATION	HEAT TREAT	FINISH & SPEC.
1	1	101171-1	VALVE, LIQUID FUEL CHECK	-	-	-

← ASS'Y NO. PARTS LIST

THIS PRINT IS THE PROPERTY OF JASC AND REPRESENTS A PROPRIETARY ARTICLE TO WHICH JASC RETAINS THE EXCLUSIVE RIGHT OF USE AND/OR SALE. THIS PRINT IS DISCLOSED IN CONFIDENCE AND POSSESSION OF IT DOES NOT CONVEY PERMISSION TO MANUFACTURE THE ARTICLE OR ARTICLES SHOWN HEREIN. SUCH PERMISSION BEING GRANTED ONLY BY SPECIFIC AUTHORIZATION IN WRITING SIGNED BY AN OFFICER OF JASC.			 JASC Tempe, Arizona		
DIMS. APPLY AFTER PLATING BREAK SHARP EDGES .005 .015 ¹²⁵ ✓MACHINED SURFACES .005-.020R MACHINED FILLETS	UNLESS OTHERWISE SPECIFIED DIMENSIONS ARE IN INCHES SYMBOLS PER ANSI Y14.5 TOLERANCES ARE: FRACTIONS DECIMALS ANGLES ± 1/64 .X ±.1 ±1° .XX ±.010 .XXX ±.005	CONTRACT NO. APPROVALS DATE DRAWN P HURST 8/5/97 CHECKED	TITLE: VALVE, LIQUID FUEL CHECK		
NEXT ASSY USED ON APPLICATION	SIZE CAGE DWG. NO. C ØR293 101171-OUTLINE	SCALE: 2X	SHT 1 OF 1		

101171-OUTLINE