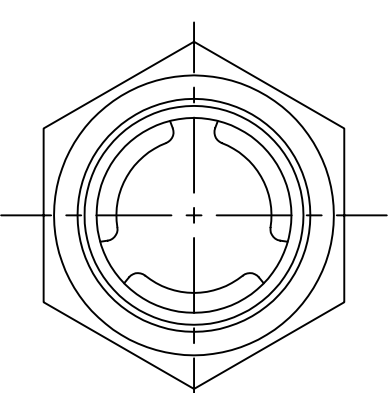
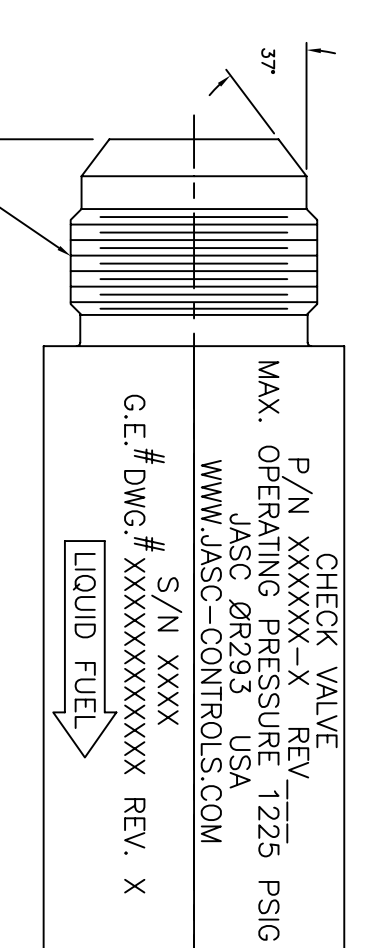
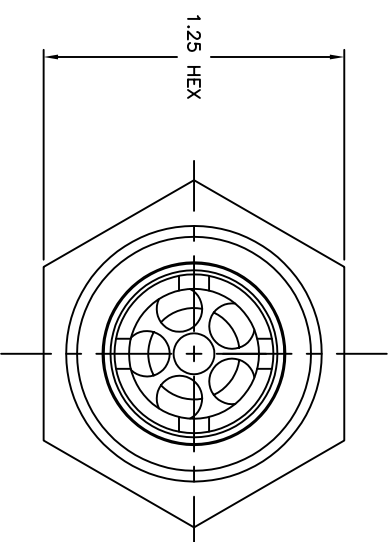


REV	DATE	DESCRIPTION	BY
A	2/7/97	PRODUCTION RELEASE	KWD
B	12/17/98	SEE DCN 1248	V.B.
C	2/4/04	SEE ECN 2249	MWD
D	5/27/05	SEE ECN 2508	MWD



14. CONTAMINATION LEVEL: 75 MICRONS ABSOLUTE
98.67% 39 MICRON OR LESS
4 MG/100 ML
13. LEAKAGE IN FLOW DIRECTION: ANSI CLASS 6
12. LEAKAGE IN CHECK DIRECTION: ANSI CLASS 6
11. CRACK PRESSURE: 114-126 PSID
10. OPERATING FLOW: 15.00 GPM
9. PRESSURE DROP TOLERANCE: 155-170 PSID
8. MAXIMUM PRESSURE DROP: 170 PSID
7. SOAKBACK TEMP: 700°F
6. MAXIMUM AMBIENT TEMP: 400°F
5. CHECK PRESSURE: 300 PSIG
4. FLOW RANGE: 0.5-15.0 GPM
3. INLET TEMP: 60° F--250° F
2. INLET PRESSURE: 0-1225 PSIG (800 TYPICAL)
1. UNIT DESIGNED IN ACCORDANCE WITH G.E. DWG. NO. 361A2943P001

NOTES: UNLESS OTHERWISE SPECIFIED

QTY	ITEM	PART NUMBER	DESCRIPTION	MATERIAL AND SPECIFICATION	HEAT TREAT	FINISH & SPEC.
1	1	101161-1	VALVE, LIQUID FUEL CHECK	-	-	-

THIS PRINT IS THE PROPERTY OF JASC AND REPRESENTS A PROPRIETARY ARTICLE TO WHICH JASC RETAINS THE EXCLUSIVE RIGHT OF USE AND/OR SALE. THIS PRINT IS DISCLOSED IN CONFIDENCE AND POSSESSION OF IT DOES NOT CONVEY PERMISSION TO MANUFACTURE THE ARTICLE OR ARTICLES SHOWN HEREIN. SUCH PERMISSION BEING GRANTED ONLY BY SPECIFIC AUTHORIZATION IN WRITING SIGNED BY AN OFFICER OF JASC.

JASC
Tempe, Arizona

TITLE: VALVE, LIQUID FUEL CHECK

CONTRACT NO. _____

APPROVALS: DATE: 9/5/96

DRAWN: P. HURST

CHECKED: _____

SIZE: C

GAGE: ØR293

DWG. NO.: 101161-OUTLINE

SCALE: 2X

SHEET 1 OF 1