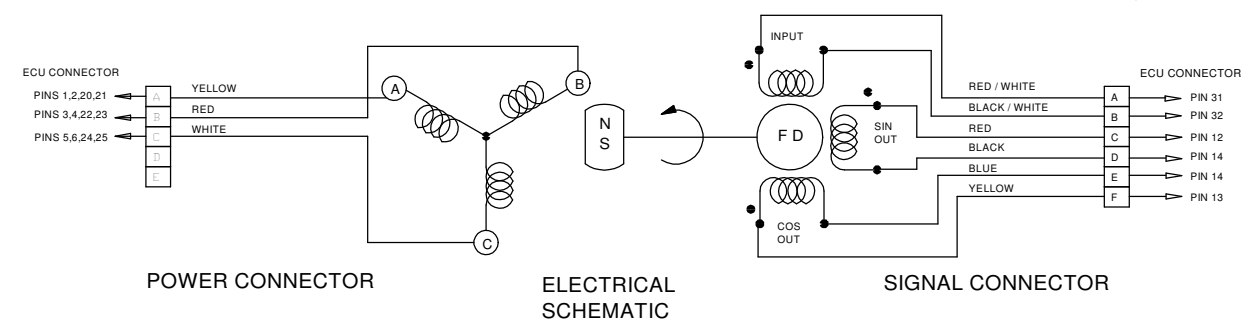
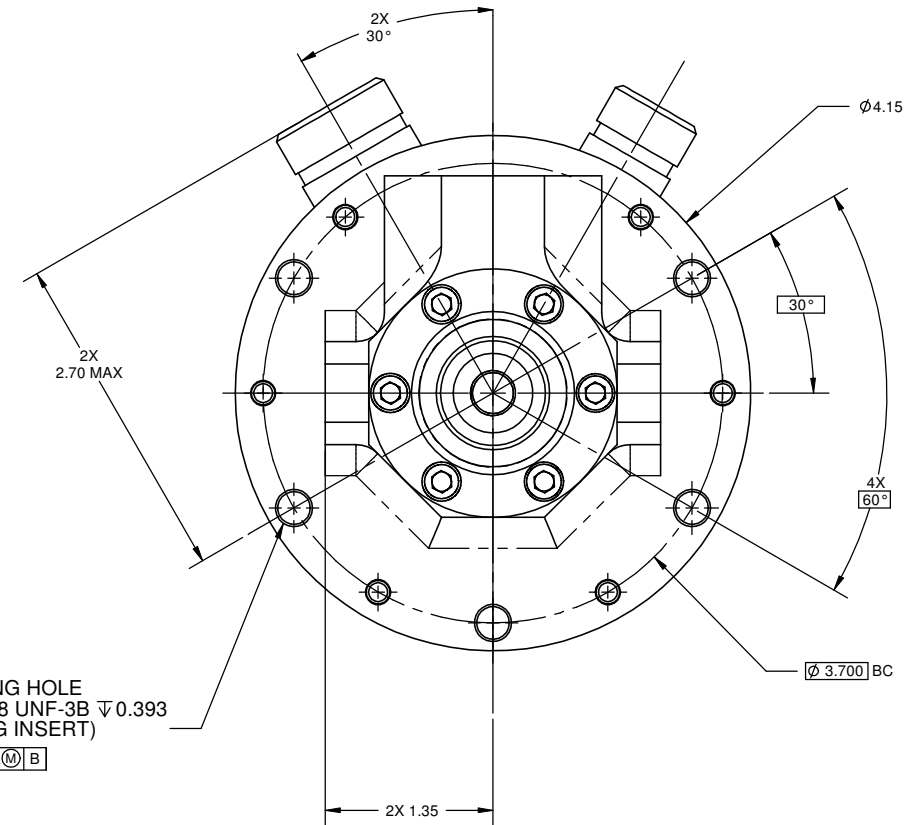
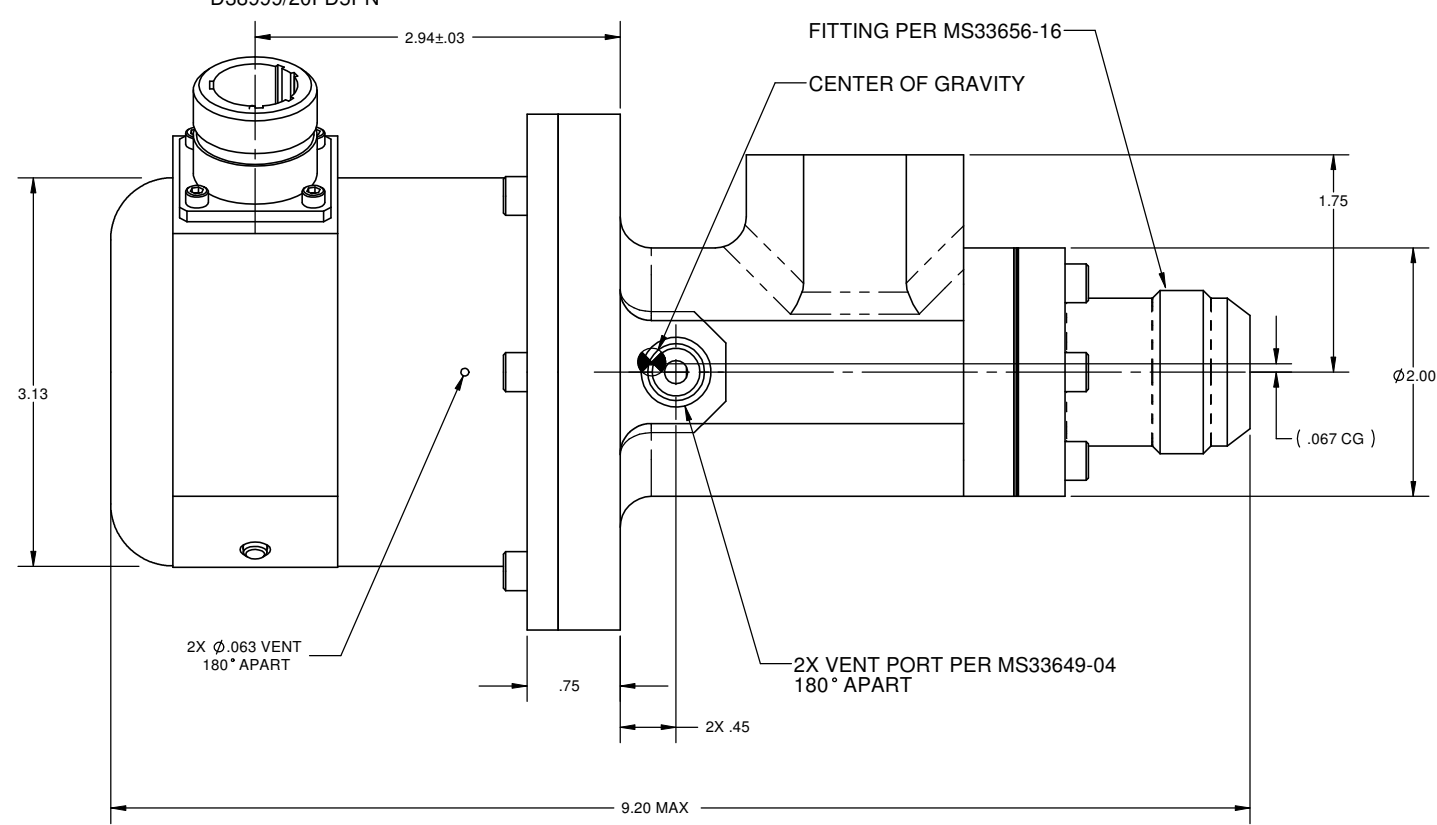
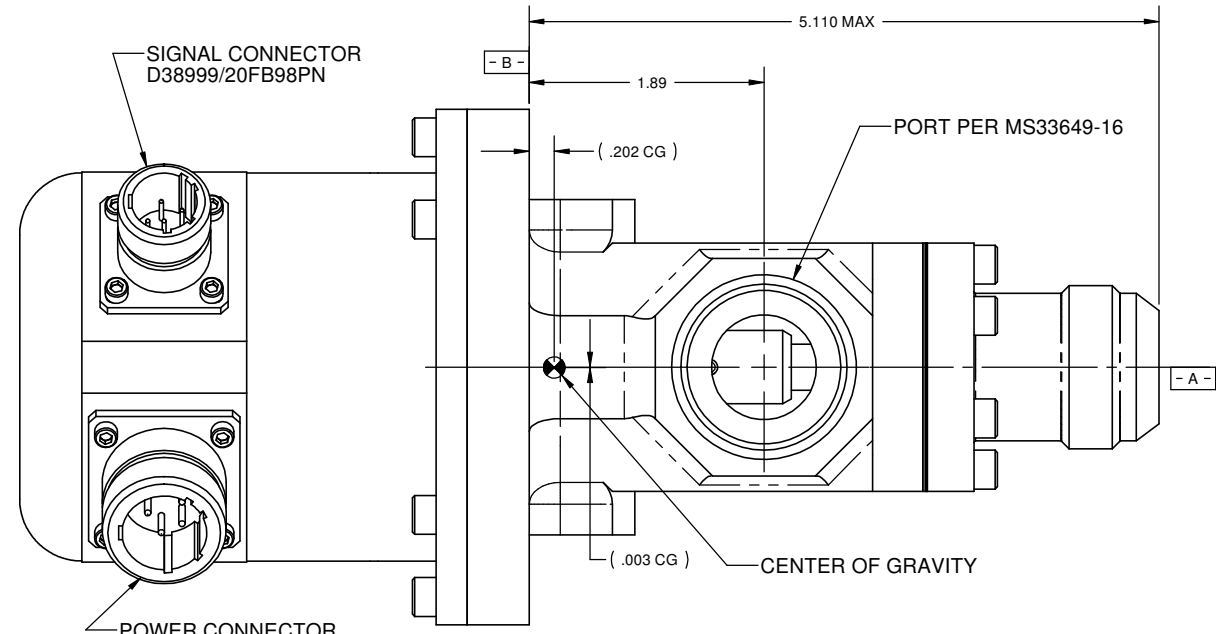


REVISIONS			
REV.	DATE	DESCRIPTION	BY
NC	3/29/06	Initial Release	NVD



THIS PRINT IS THE PROPERTY OF JASC AND REPRESENTS A PROPRIETARY ARTICLE TO WHICH JASC RETAINS THE EXCLUSIVE RIGHT OF USE AND/OR SALE. THIS PRINT IS DISCLOSED IN CONFIDENCE AND POSSESSION OF IT DOES NOT CONVEY PERMISSION TO MANUFACTURE THE ARTICLE OR ARTICLES SHOWN HEREIN: SUCH PERMISSION BEING GRANTED ONLY BY SPECIFIC AUTHORIZATION IN WRITING SIGNED BY AN OFFICER OF JASC.

DIMS. APPLY AFTER PLATING
BREAK SHARP EDGES .005 .015
✓ MACHINED SURFACES
.005-.020R MACHINED FILLETS

UNLESS OTHERWISE SPECIFIED
DIMENSIONS ARE IN INCHES
SYMBOLS PER ANSI Y14.5
TOLERANCES ARE:
FRACTIONS DECIMALS ANGLES
 \pm 1/64 .X \pm .1 \pm 1°
.XX \pm .010
.XXX \pm .005
.XXXX \pm .0010

CONTRACT NO.

APPROVALS DATE

DRAWN RPW 01/18/06

CHECKED JFC 02/24/06

NEXT ASSY USED ON APPLICATION

JASC
Tempe, Arizona

TITLE: VALVE, H2O2 CAVITATING THRUST CONTROL

SIZE: C

CAGE: ϕ R293

DWG. NO.: 101380-1 OUTLINE

SCALE: 1:1

WEIGHT: 8.175 lbs

SHT 1 OF 1

101380-1 OUTLINE NC